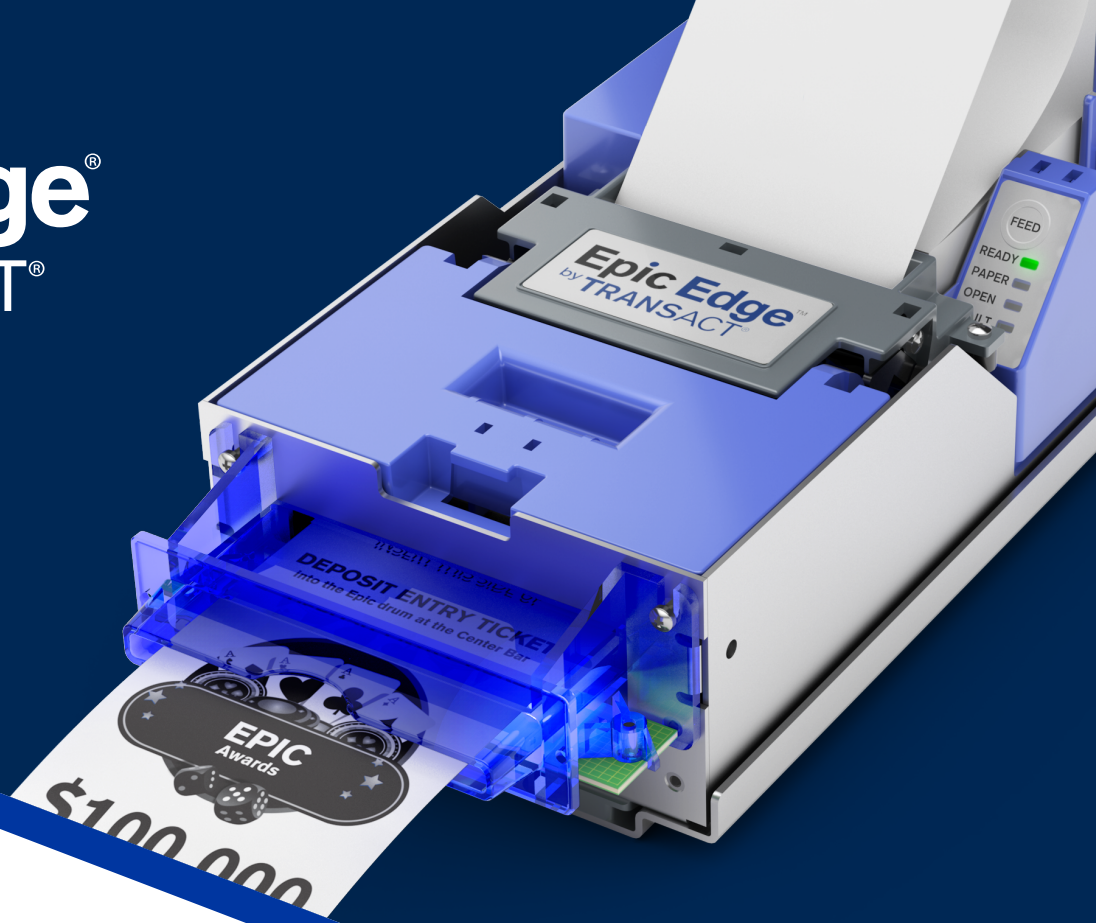


# Epic Edge<sup>®</sup>

by TRANSACT<sup>®</sup>



## THE INDUSTRY'S NEWEST AND MOST ADVANCED TITO PRINTER

The next-generation Epic Edge<sup>®</sup> is the latest and best choice in ticket in/ ticket out (TITO) printers, offering the highest print quality on the market thanks to its unmatched print resolution and cutting-edge features. Packed with technology to simplify your operations and improve slot floor performance, the Epic Edge retains key designs from the ever-reliable and industry award-winning Epic 950<sup>®</sup>.

### FEATURES

#### **PATENTED HOT SWAPPABLE**

Printer can be replaced without powering down or disconnecting cables, therefore eliminating downtime.

#### **COLOR CODED CHASSIS RAILS**

While the Epic Edge and Epic 950 coexist on the slot floor, different color rails in the outer chassis ensure the printer installs correctly.

#### **INTERFACES**

USB, Netplex<sup>™</sup> and Serial all in one chassis.

#### **PATENTED JAM-FREE BEZEL**

Ticket Burst<sup>™</sup> technology prints and cuts receipts before presenting. It also eliminates jams caused by player interference.

#### **HIGH-SPEED CONNECTION**

ServerPort<sup>®</sup> enables value-added applications, such as our Epicentral coupon bonusing system.

#### **RUGGED METAL CHASSIS**

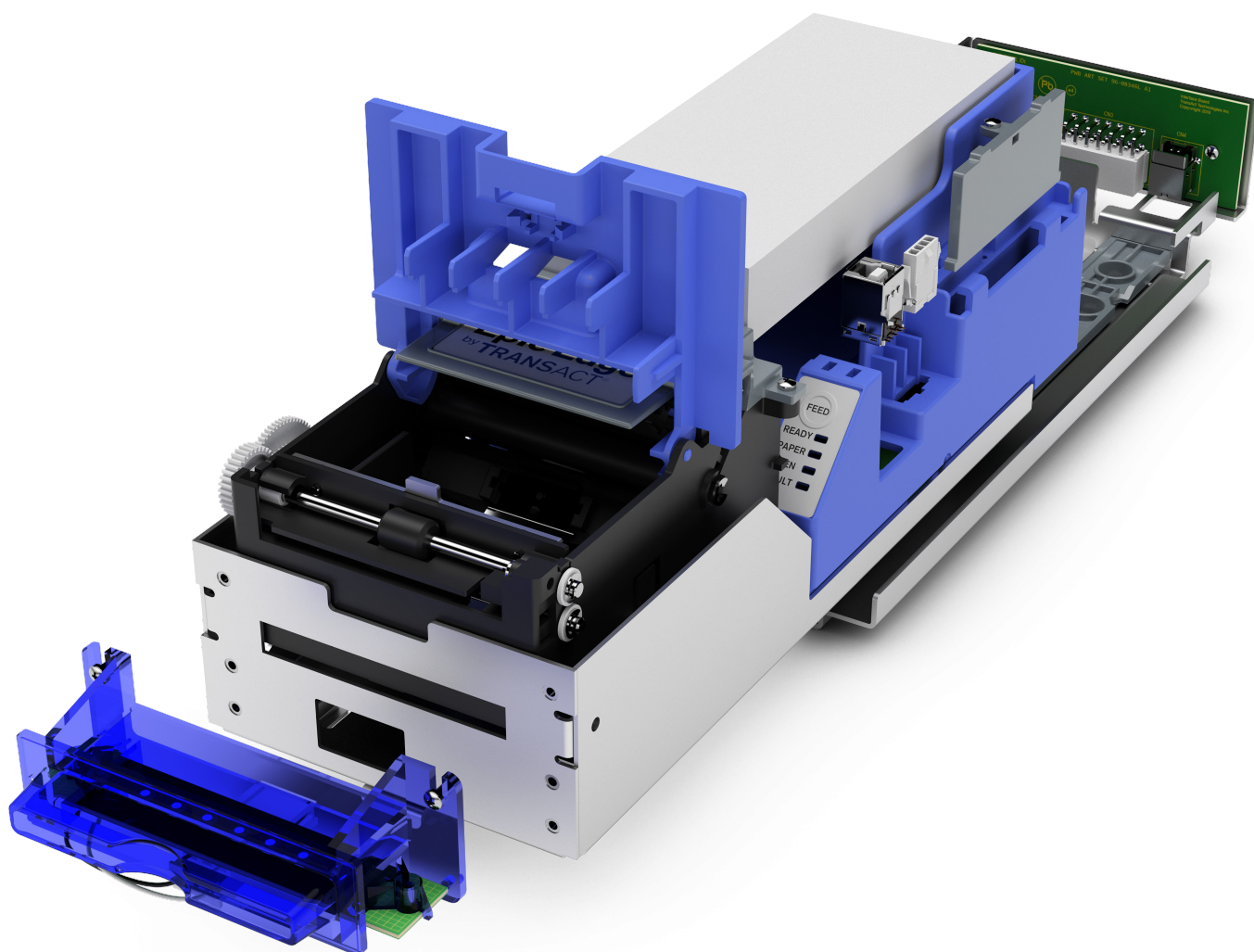
Built for the long haul.

# YOUR OLD PRINTER TECHNOLOGY JUST GOT EDGED OUT

---

TransAct's Epic Edge® is the most innovative TITO printer on the market, as it's the only one that features an unmatched 300 DPI, a high-speed firmware uploading solution and a single interface board for all games. These unique functions are specifically designed to optimize casino efficiency and save operators time. Epic Edge tickets also feature dynamic graphic images, making it ideal for implementation alongside bonusing applications such as Epicentral® from TransAct®.

Why settle for subpar technology? Have an "Edge" over the rest.



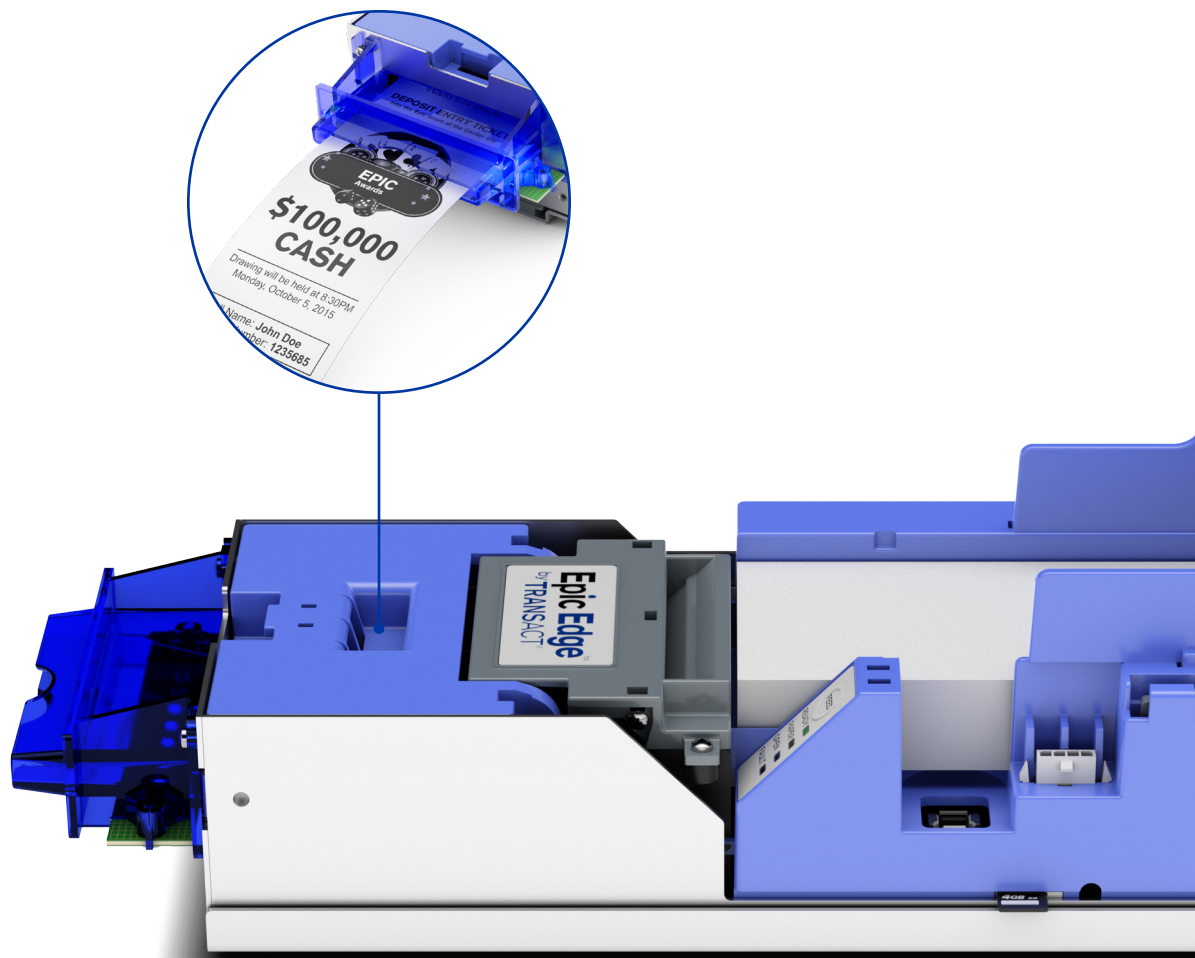
# 300 DPI

---

The Epic Edge® offers more than twofold of improvement in image quality over current industry options thanks to its 300 DPI print resolution. This unmatched resolution not only provides stunning graphics and eye-catching tickets, but it also saves casino operators time. By printing high-quality razor-sharp barcodes, the “Edge” increases ticket acceptance rates and reduces attendant calls, optimizing casino performance and allowing slot and table operations to run at peak efficiency. This high-resolution also provides for a nearly unlimited array of characters of multiple languages to fit the needs of casinos world-wide.

**300DPI**

90,000 pixels per inch



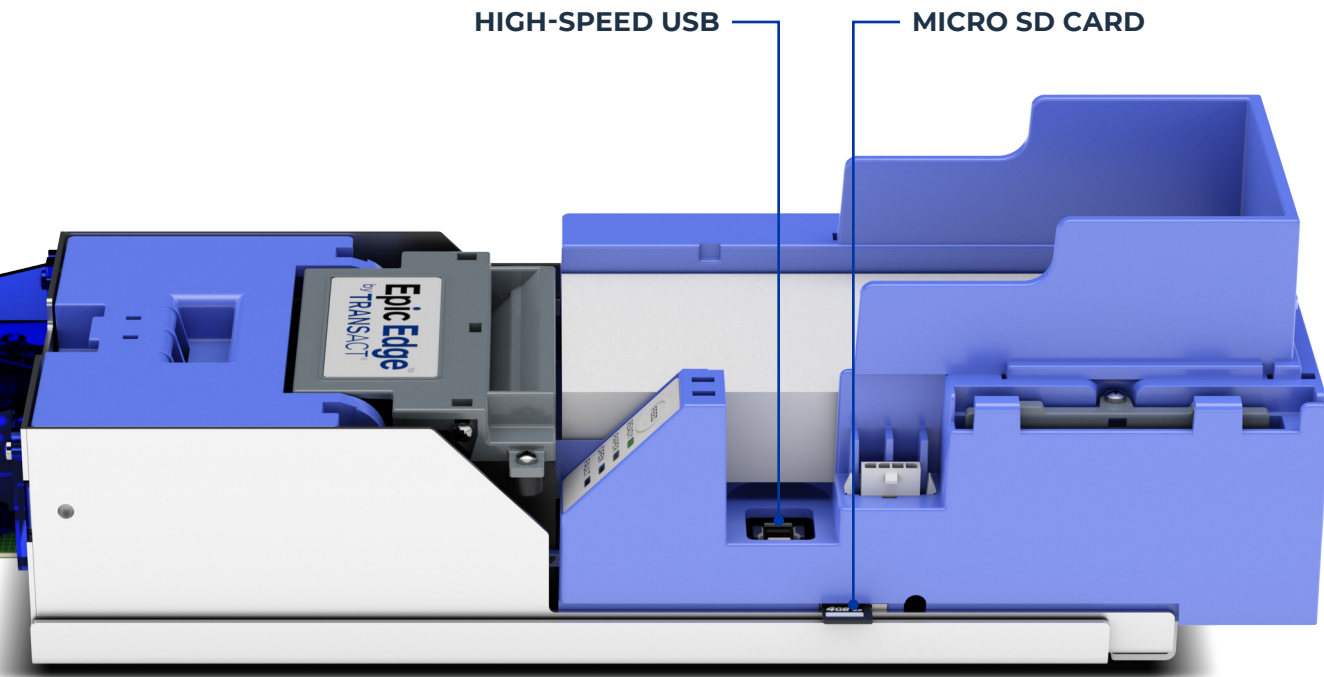
# FASTEST FIRMWARE UPLOADING

---

Epic Edge® comes with two additional high-speed interfaces to simplify firmware updates and graphics downloads.

A new Micro SD Card interface makes it simple to update the printer on the slot floor, without having to carry a laptop or turn off the slot machine. Simply un-rack the printer, plug in a Micro SD Card and wait for a printed ticket confirming that the update is complete.

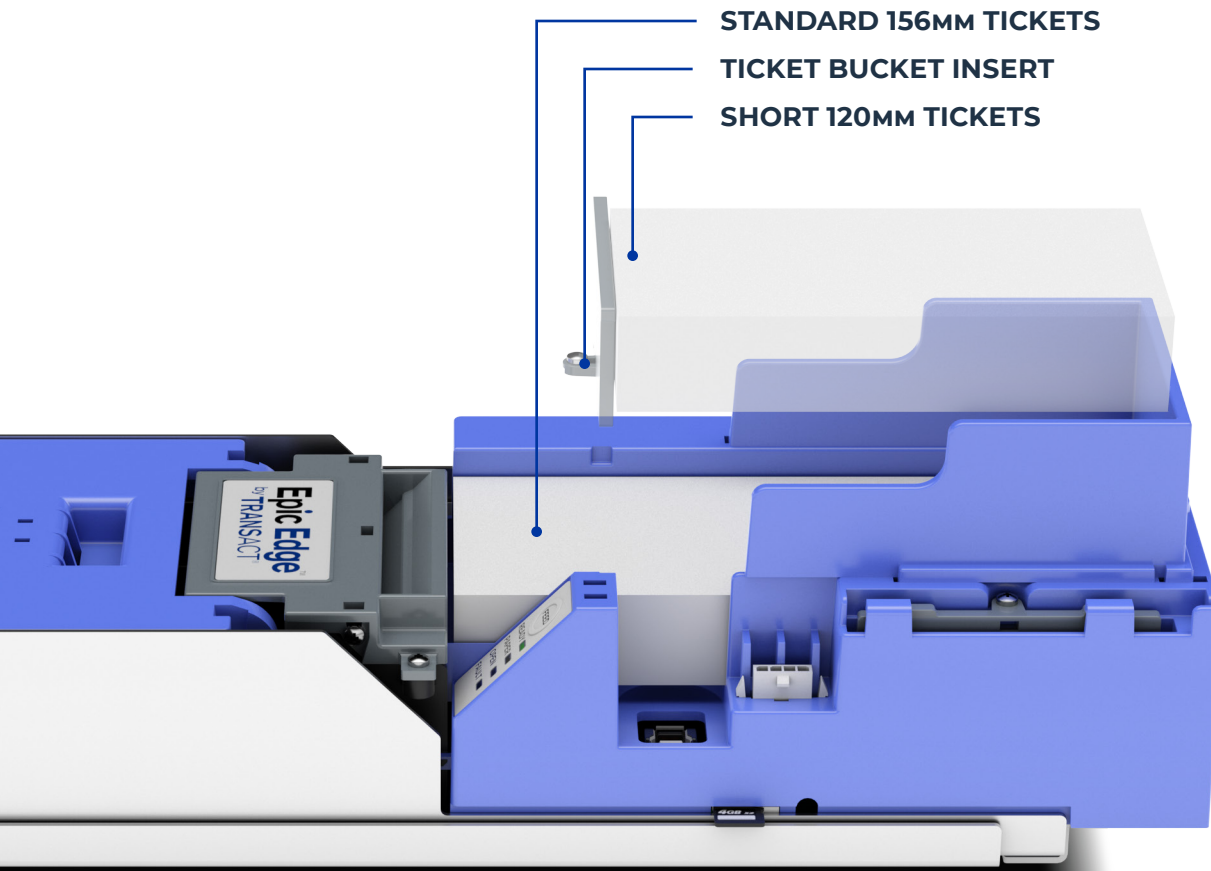
A high-speed USB Interface makes it easy to connect the Epic Edge to a laptop for updates performed on or off the casino floor.



# ECO-FRIENDLY TICKET BUCKET

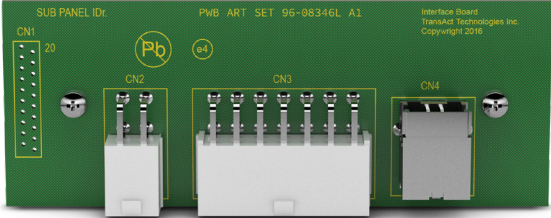
---

The Epic Edge® contains an adjustable ticket bucket that allows operators to use smaller, paper-saving tickets to work with ecological programs being implemented in casinos. More functional than ever, the Epic Edge can handle two ticket sizes. The new smaller (120mm) ticket enables casinos to save money while also helping casinos achieve environmental goals. Additionally, the Epic Edge also handles standard (156mm) tickets.

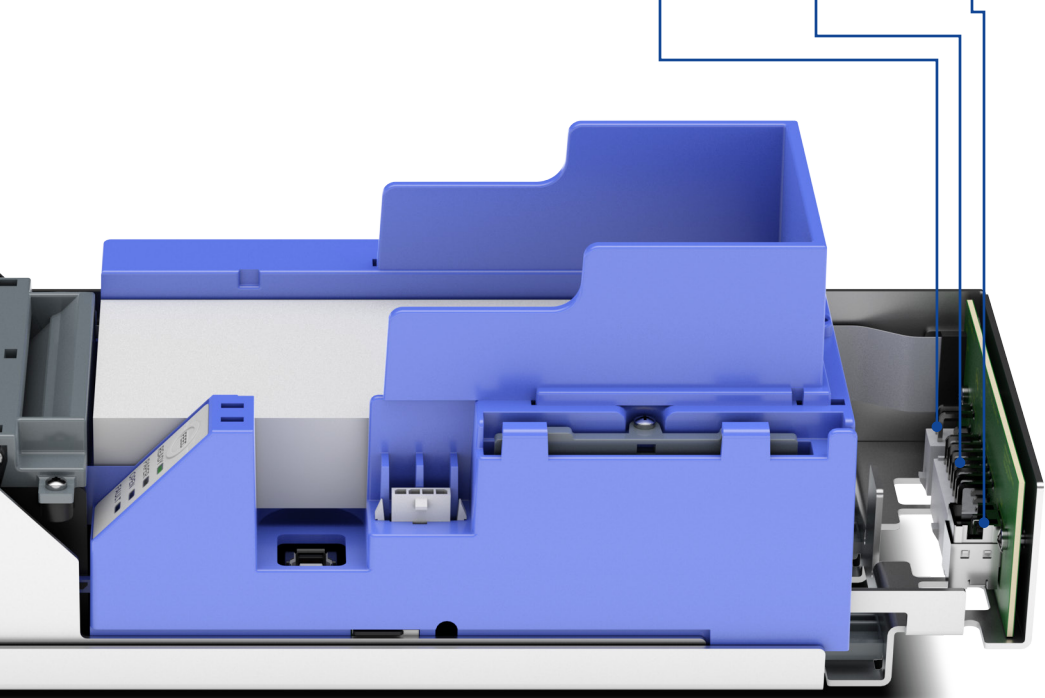


# ONE PRINTER FOR ALL GAMES

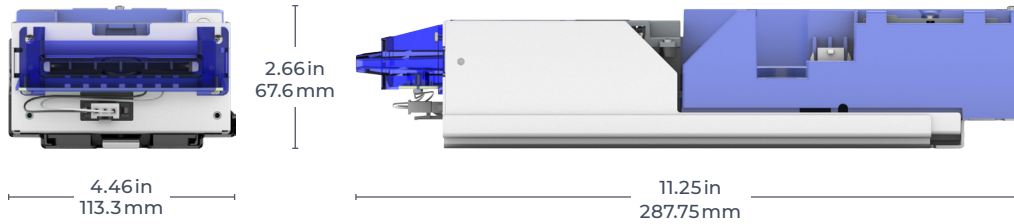
The Epic Edge® is the one printer that can be used interchangeably in all OEM platforms. By incorporating all interfaces into one board, casino operators reduce costs by only inventorying a single printer, for any game.



**POWER**      **NETPLEX & SERIAL**      **USB**



## SPECIFICATIONS



<b>Resolution</b>	300 DPI
<b>Print Width</b>	2.44 in/62 mm
<b>Print Speed</b>	5 in/125 mm per second
<b>Dimensions</b>	4.46W x 11.25D x 2.66H (in)/113.3 W x 285.75D x 67.6H (mm)
<b>Weight</b>	3.8 lbs/1.7 Kg
<b>Interface</b>	Single Board: Serial, Netplex™, USB
<b>Power Supply</b>	24 VDC: 2.2 Amps Maximum
<b>Operating Temperature</b>	41 to 140° F/5 to 60° C at 10 to 90% RH
<b>Storage Temperature</b>	14 to 122° F/-10 to 50° C at 5 to 90% RH
<b>Print Head Life</b>	43.45 miles/70 km
<b>Memory Capacity</b>	8MB RAM and 4MB Flash for printer operations

For more information or assistance with integration:

Call **877-748-4222** or **607-257-8901**

Email [sales@transact-tech.com](mailto:sales@transact-tech.com)

**TRANSACT**<sup>®</sup>  
[transact-tech.com/casino](http://transact-tech.com/casino)